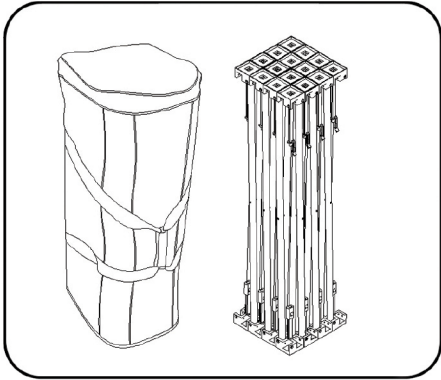


# RPL FABRIC POP UP DISPLAY SET UP INSTRUCTIONS

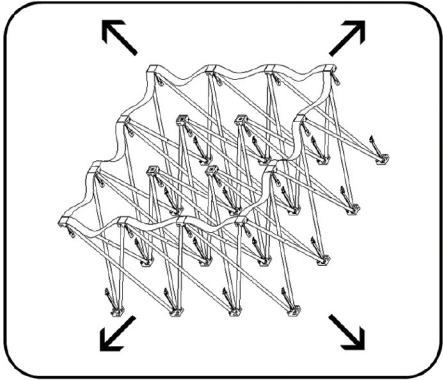
The following instructions are compatible will all shapes and sizes of RPL frames

## Frame Assembly

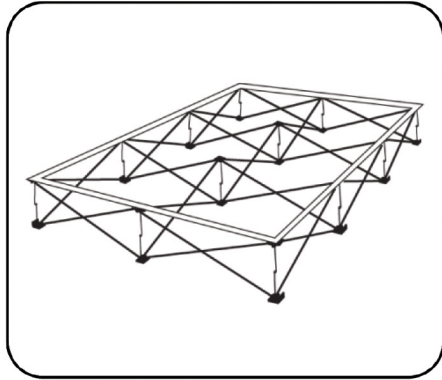
1. Remove frame from bag.



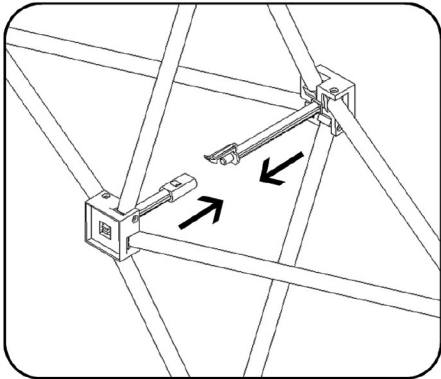
2. Expand frame by pulling outward.



3. Make sure velcro strips are facing up.

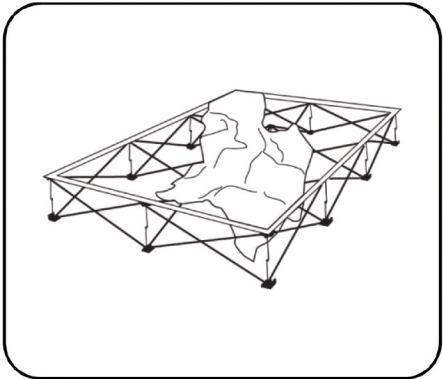


4. Push together all locks on frame to connect.

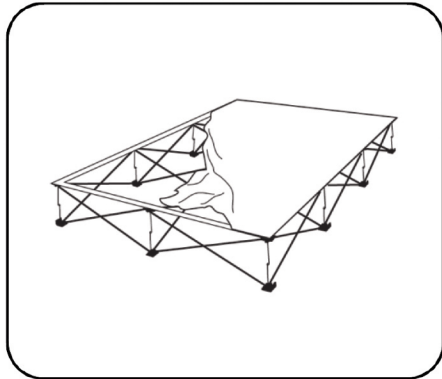


## Graphic Installation

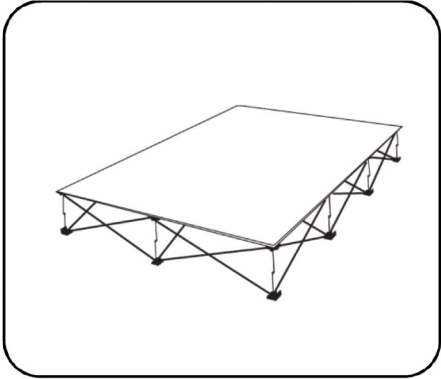
5. Starting at one corner, attach velcro on the graphic to velcro on the frame.



6. Attach the rest of the graphic by working your way around the frame. Make sure graphic is pulled taut while attaching the velcro.



7. If needed, adjust graphic for maximum tautness. Secure end caps to complete.



\*Note - To avoid damage, disconnect end caps and all hooks before collapsing frame. Graphic can remain on frame during storage.

